

AIR RELEASE VALVE AIF-118 S

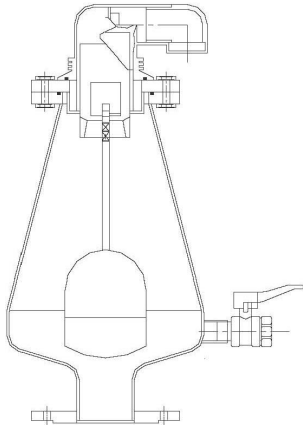
For Sewage EN1074-4 : 2000



SPS air release valve incorporates a kinetic and an automatic air release valve in one single valve body. Each function in the sewage system is to release air (gases) and to admit air into sewage and waste water lines. The exclusive structure guarantees complete separation of the liquid from the sealing system and provides optimum working conditions.

OPERATION :

During the filling of the line, air pockets (gases) are released at high flow rates through the orifice of the kinetic valve. During the emptying of the line, the valve admits air (gases) at high flow rates into the system- During normal operation, a sewage flows in the line, the kinetic orifice remains closed, as the valve continues to release entrapped air, which accumulates in the line through the automatic nozzle. The valves mechanism prevents the opening of the automatic nozzle upon every slight pressure change in the line, thus guarantying the preservation of an "air-gap" between the sealing system and the contaminated liquid.



Application

For Sewage water

Working Pressure

Up tp 16 Bars

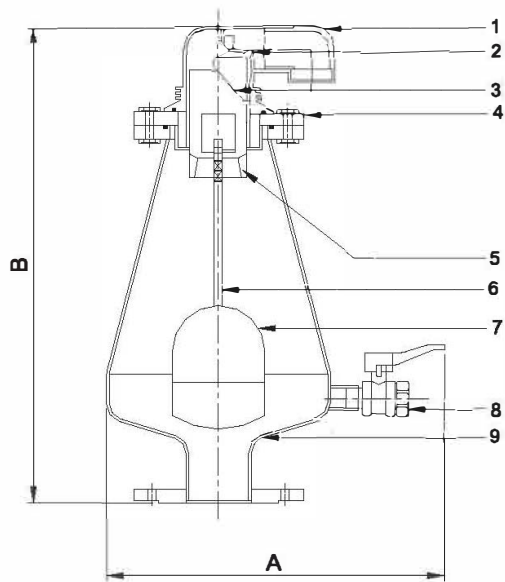
Working Temperature

Up to 100° C

Coating

Epoxy powder, 250-300 microns

AIR RELEASE VALVE AIF-118 S for Sewage



Components List

No	Parts	Materials
1	Drainage Elbow	Polypropylene
2	Seat Plug assembly	Reinforced Nylon
3	Float	Foamed Polypropylene
4	Cover	Carbon Steel
5	Stopper	Acetal
6	Stem	St. Steel
7	Float	St. Steel
8	Ball Valve	Brass Polypropylene
9	Body	Carbon Steel

Nominal Size	A	B
DN80	422	605
DN100	422	605
DN150	422	610
DN200	422	610