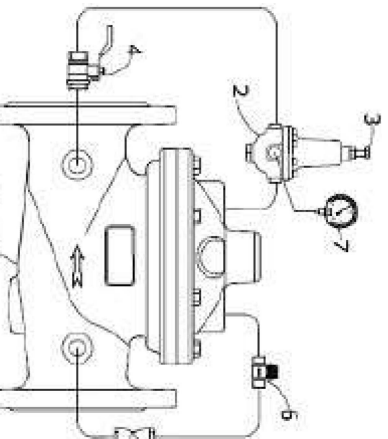


# PRESSURE REDUCING VALVE

## PRODUCT DESCRIPTION

The pressure reducing hydraulic control valves are used for reducing the high pressure value in the water conduction network to a desired lower value. The pressure reducing control valves protect the exit pressure value without affected from flow and flowrate changes. The pipe diameter is not considered while selecting the valve diameter. The valve diameter can be selected as the smaller or a little bit larger value of the pipe diameter. The cavitation values must be considered while selecting the valve diameter



1. Hydraulic Control Valve
2. Pilot Valve
3. Pilot Valve Setting Bolt
4. Ball Valve
5. Strainer
6. Needle Valve
7. Manometer



## PROPERTIES

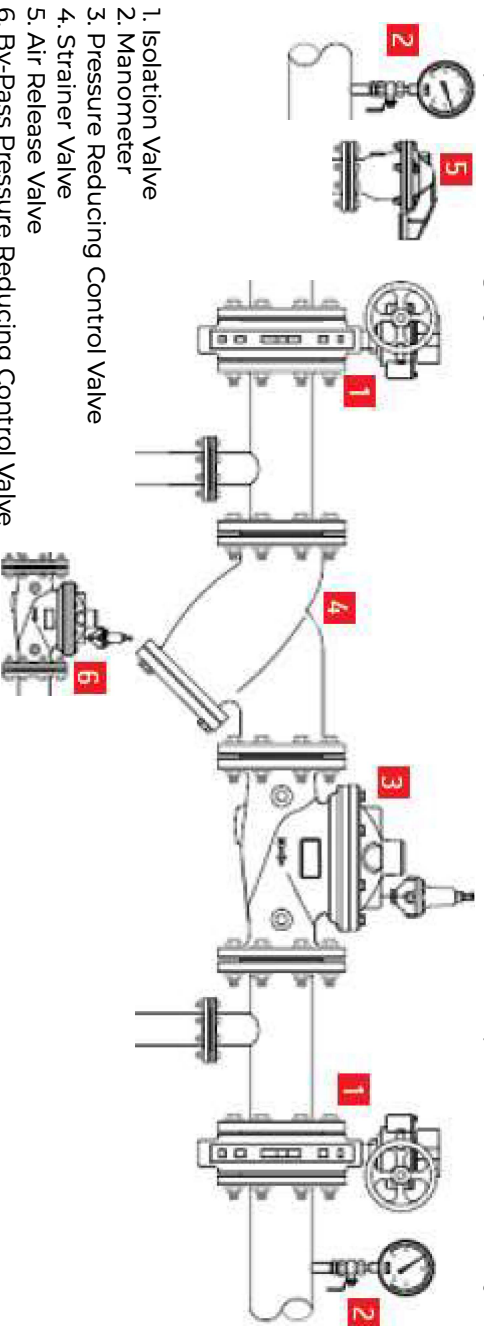
The pressure reducing hydraulic control valve works fully automatic with the network pressure without needing any extra energy source.

The two way pressure reducing pilot valve placed on the control valve reduces the exit pressure to a desired value without affected from the flowrate changes.

The valve fully opens itself when the entrance pressure value in the network reduces to below the desired exit pressure value.

In water conduction networks which have variable flowrate value, it is recommended that to use the smaller pressure reducing control valve diameter than the present pressure reducing control valve diameter as a by-pass line. The valve shuts itself down automatically when there is no water in the network.

The pressure reducing hydraulic control valve can be used at vertical and horizontal positions comfortably in practice.



1. Isolation Valve
2. Manometer
3. Pressure Reducing Control Valve
4. Strainer Valve
5. Air Release Valve
6. By-Pass Pressure Reducing Control Valve

## OPERATING MANUAL

Mount the valve according to the arrow placed on the valve that shows the flow direction.

For simplifying the maintenance of the valve, mounting isolation valves (gate, ball, butterfly etc.) at the entrance direction for to be able to shut-off the water in the network is recommended.

For the valve's efficient working it is recommended to use an air relief valve before the valve.

Evacuate the water in the valve's actuator to the atmosphere to prevent freezing in winter.

The pressure reducing hydraulic control valve's adjustment is done from the pilot valve's adjust screw placed on the main valve.