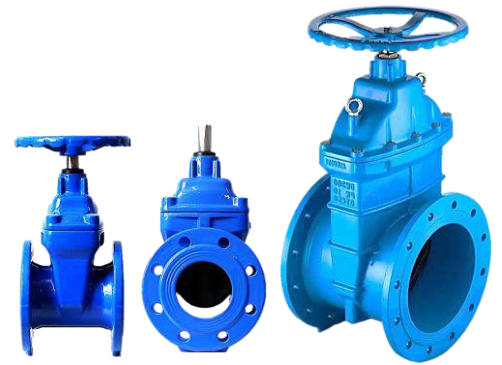
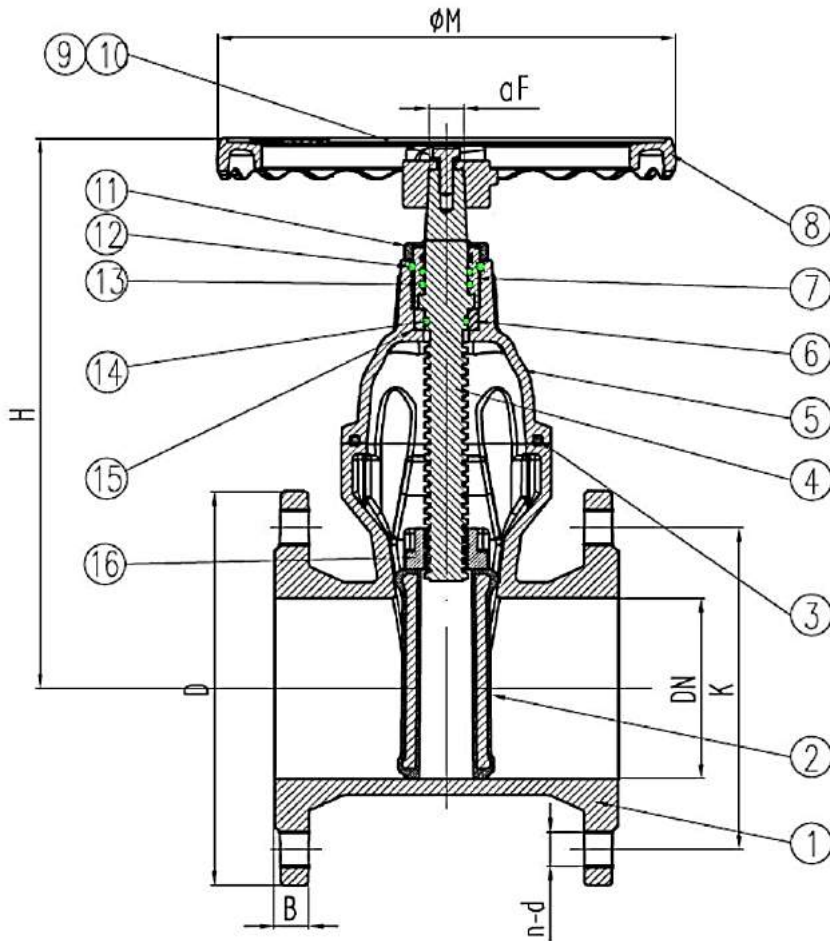


RESILIENT SEATED GATE VALVE F4, PN10/16/25 EN1074-2:2000, DN40-300, EN1092 Flanged Ends

Standard operation: Handwheel / Head cap

Options: Gearbox / Electric Actuator / Extension spindle



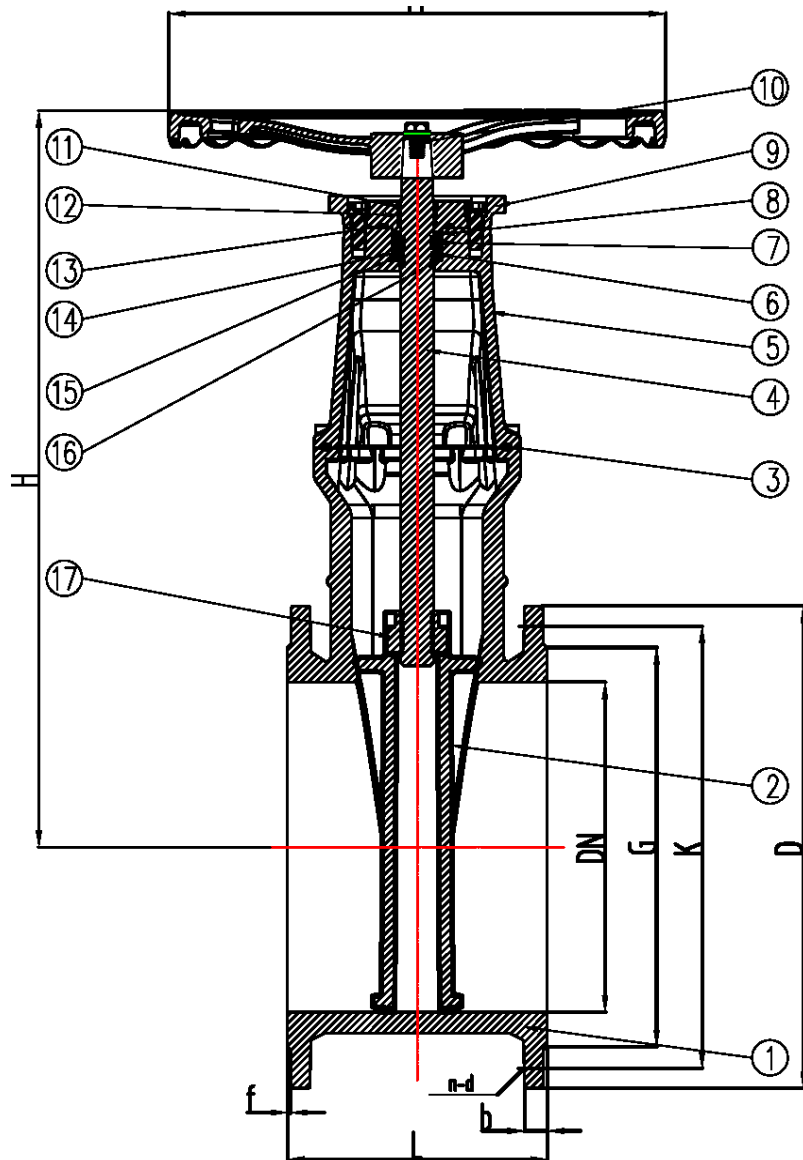
ITEM	PART NAME	MATERIAL
1	Body	Ductile iron
2	Disc	EPDM+DI
3	Bonnet Gasket	NBR
4	Stem	SS420
5	Bonnet	Ductile iron
6	Thrust Washer	Brass
7	Thrust Sleeve	Brass
8	Dust Cover	NBR
9	Hand wheel	Ductile iron
10	Bolts	SS304
11	Washers	SS304
12	Dust Cover	NBR
13	O-Ring	NBR
14	O-Ring	NBR
15	O-Ring	NBR
16	Stem Nut	Brass

Size	Face to face	END FLANGE (EN1092-2)			Hand wheel		No. of turns to close	Closing Torque (N.m)	Unit weight (Kg)
	DIN F4	D	K	n-d	ΦM	□ F			
DN40	140	150	110	4-Φ19	Φ 180	14	7.5	30	7
DN50	150	165	125	4-Φ19	Φ 180	14	9	30	9
DN65	170	185	145	4-Φ19	Φ 200	14	10	35	11.4
DN80	180	200	160	8-Φ19	Φ 200	17	12	35	14
DN100	190	220	180	8-Φ19	Φ 220	19	12	40	18.8
DN125	200	250	210	8-Φ19	Φ 250	19	14.5	65	24.6
DN150	210	285	240	8-Φ23	Φ 280	19	17	80	30.7
DN200	230	340	295	8-Φ23 / 12-Φ23	Φ 315	24	18.5	140	48.2
DN250	250	395 / 405	350 / 355	12-Φ23 / 12-Φ28	Φ 406	27	23	180	74.6
DN300	270	445 / 460	400 / 410	12-Φ23 / 12-Φ28	Φ 406	27	27	220	99.7

RESILIENT SEATED GATE VALVE F4, PN10 /16 /25 EN1074-2:2000, N350-600, EN1092 Flanged Ends

Standard operation: Handhweel / Head cap

Options: Gearbox / Electric Actuator / Extension spindle

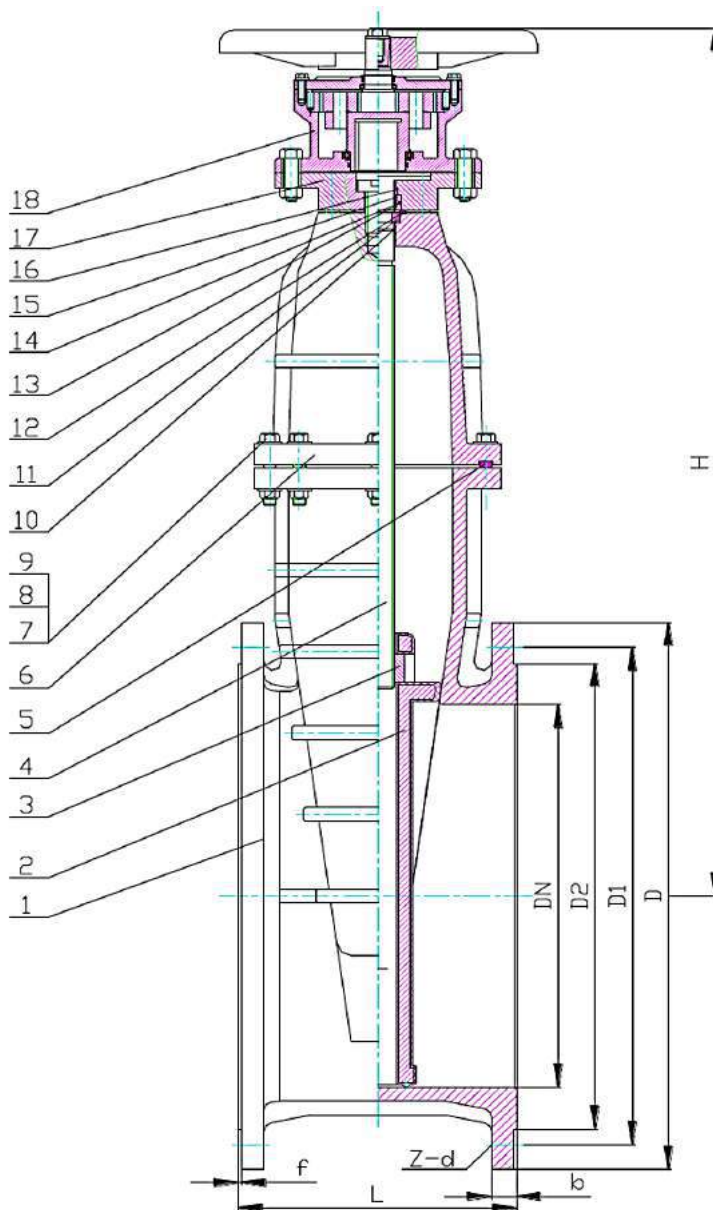


ITEM	PART NAME	MATERIAL
1	Body	Ductile iron
2	Disc	EPDM+DI
3	Bonnet Gasket	NBR
4	Stem	SS420
5	Bonnet	Ductile iron
6	Thrust Washer	Brass
7	Holding Ring	Brass
8	Thrust Nut	Brass
9	Top Gland	Ductile iron
10	Hand wheel	Ductile iron
11	Dusct Cover	NBR
12	O-Ring	NBR
13	O-Ring	NBR
14	O-Ring	NBR
15	O-Ring	NBR
16	O-Ring	NBR
17	Stem Nut	Brass

Size	Face to face	END FLANGE (EN1092-2)			Hand wheel		No. of turns to close	Closing Torque (N.m)	Unit weight (Kg)
	DIN F4	D	K	n-d	ΦM	□ F			
DN350	290	505 / 520	460 / 470	16-Φ23 / 16-Φ28	Φ 500	27	31	280	180
DN400	310	565 / 580	515 / 525	16-Φ28 / 16-Φ31	Φ 500	27	34.5	320	205
DN450	330	615 / 640	565 / 585	20-Φ28 / 20-Φ31	Φ 500	28	33	380	320
DN500	350	670 / 715	620 / 650	20-Φ28 / 20-Φ34	Φ 600	30	32	400	342
DN600	390	780 / 840	725 / 770	20-Φ31 / 20-Φ37	Φ 600	30	34.5	500	580

RESILIENT SEATED GATE VALVE F4, PN10 /16 /25 EN1074-2:2000, DN700-1200 EN1092 Flanged Ends

Standard operation: Spur Gear+Handwheel / Head cap
Option: Gearbox / Electric Actuator / Extension spindle

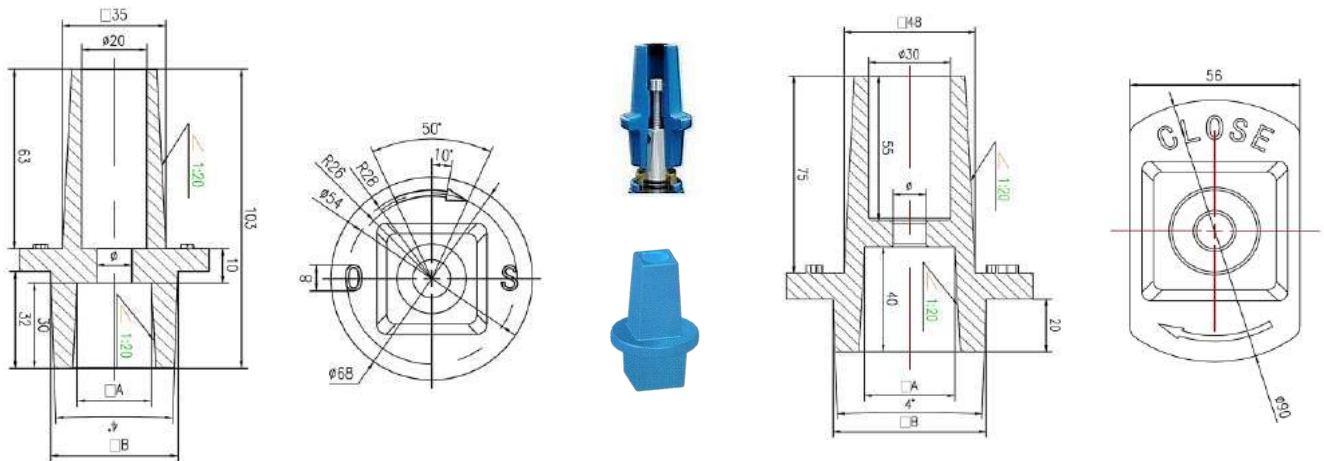


ITEM	PART NAME	MATERIAL
1	Body	Ductile iron
2	Disc	EPDM+DI
3	Stem Nut	NBR
4	Stem	SS420
5	Gasket	NBR
6	Bonnet	Ductile iron
7	Bolts	Carbon steel
8	Washer	Carbon steel
9	Nut	Carbon steel
10	O-Ring	NBR
11	Locking Ring	Brass
12	Minipad	TFL
13	O-Ring	NBR
14	O-Ring	NBR
15	Seal Ring	Brass
16	Dust Cover	NBR
17	Top Gland	Ductile iron
18	Gearbox+Handwheel	assembly set

Size	Face to face	END FLANGE (EN1092-2, PN10/16)						
	DIN F4	D	D1	D2	H	f	b	Z-d
DN 700	430	928	840	794	1532	5	39.5	24-Φ31 / 24-Φ37
DN 800	470	1034	950	901	1705	5	43	24-Φ34 / 24-Φ40
DN 900	510	1125	1050	1001	1810	5	46.5	28-Φ34 / 28-Φ40
DN 1000	550	1255	1160/1170	1112	2035	5	50	28-Φ37 / 28-Φ43
DN 1200	630	1485	1380/1390	1328	2570	5	57	32-Φ40 / 32-Φ49

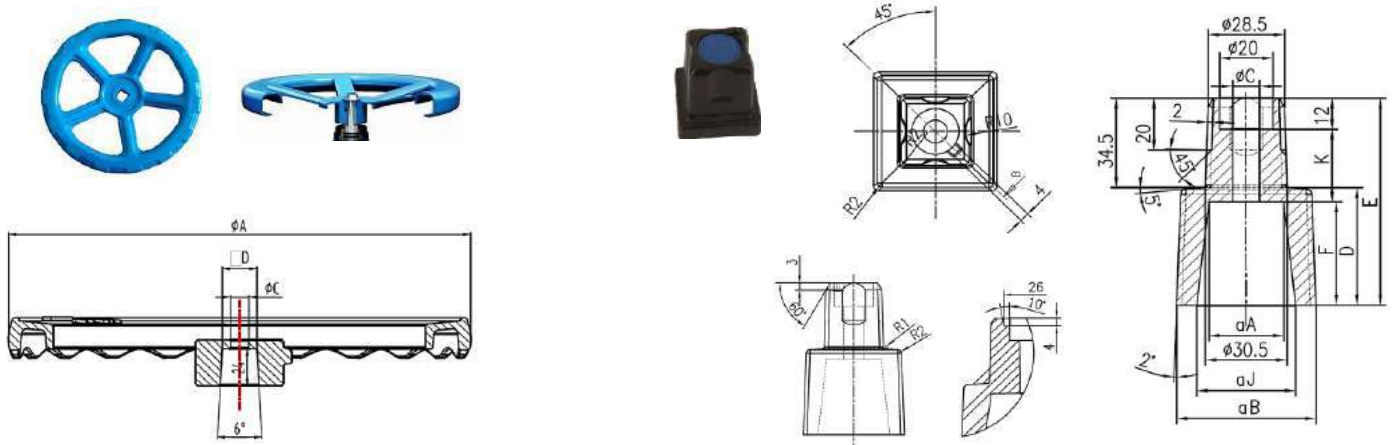
RESILIENT SEATED GATE VALVE

Handwheel & Headcap dimensions



Size	□ A	□ B	Φ
DN40-50	□ 14	□ 30	10
DN65-80	□ 17	□ 36	10
DN100-150	□ 19	□ 41	10
DN200	□ 24	□ 51	10
DN250-300	□ 27	□ 58	12

Size	□ A	□ B	Φ
DN350	□ 27	□ 56	12
DN400	□ 27	□ 56	12
DN450	□ 32	□ 56	12
DN500	□ 32	□ 56	12
DN600	□ 32	□ 56	12



Size	Φ A	□ D	Φ C
DN50	180	□ 14	10
DN65	200	□ 14	10
DN80	200	□ 17	10
DN100	220	□ 19	10
DN125	250	□ 19	10
DN150	280	□ 19	10
DN200	315	□ 24	10
DN250	406	□ 27	12
DN300	406	□ 27	12
DN350	500	□ 27	12
DN400	500	□ 27	12
DN450	500	□ 30	12
DN500	600	□ 30	12
DN600	600	□ 30	12

Size	□ A	□ B	Φ C	D	E	F	□ J	K	Bolts, 8.8A.INOX
DN40	14	40	10	4.5	39	22	16	5	M8 x 20
DN50	14	40	10	4.5	39	22	16	5	M8 x 20
DN65	14	40	10	8.5	43	26	16.5	5	M8 x 20
DN80	17	40	10	13.5	48	30	20	6	M8 x 20
DN100	19	40	10	15.5	50	30	22	8	M8 x 25
DN125	19	40	10	20.5	55	30	22	13	M8 x 30
DN150	19	40	10	20.5	55	30	22	13	M8 x 30
DN200	24	40	10	39.5	74	34	27.3	28	M8 x 45
DN250	27	45	12	45.5	80	40	31	28	M10 x 45
DN300	27	52	12	45.5	80	40	31	28	M10 x 45
DN350	27	52	12	45.5	80	40	31	28	M10 x 45
DN400	27	52	12	45.5	80	40	31	28	M10 x 45
DN450	32	63.5	12	63.5	98	49	37	37	M10 x 55
DN500	32	63.5	12	63.5	98	49	37	37	M10 x 55