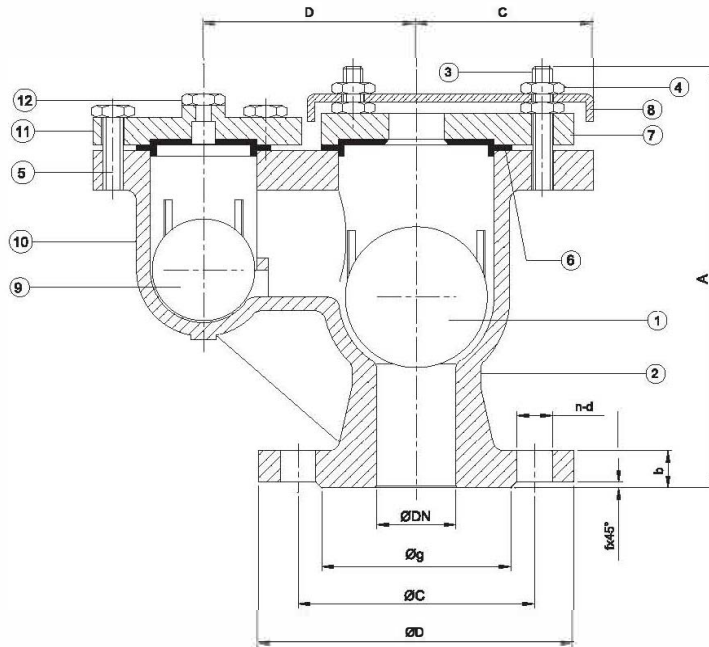




**DN 50,65,80,  
100,125,150,200  
PN10,PN16,PN25**



**AIR RELEASE VALVE  
double orifice AID-119  
EN1074-4 : 2000**



**Material List :**

No	Parts	Materials
1	Body	Ductile Iron
2	Small float Ball	ABS
3	Large float Ball	ABS
4	Bolt	St.Steel
5	Ball Seal Large Orifice	EPDM
6	Large Orifice Cover	Ductile Iron
7	Dust Cap	Ductile Iron
8	Nut	St.Steel
9	Washer	St.Steel
10	Bolt	St.Steel
11	Ball Seal Small Orifice	EPDM
12	Air Release nipple	Cast Brass
13	Small Orifice Cover	Ductile Iron
14	Nut	Steel
15	Washer	Steel
16	Screw plug	Cast Brass

# НОМОГРАМИ

Дебит – минимално затварящо налягане

DN50	Qn=30 m <sup>3</sup> /h	P <sub>min</sub> ≥ 5,40 bar
DN65	Qn=40 m <sup>3</sup> /h	P <sub>min</sub> ≥ 5,35 bar
DN80	Qn=50 m <sup>3</sup> /h	P <sub>min</sub> ≥ 5,30 bar
DN100	Qn=80 m <sup>3</sup> /h	P <sub>min</sub> ≥ 5,10 bar
DN125	Qn=115 m <sup>3</sup> /h	P <sub>min</sub> ≥ 4,90 bar
DN150	Qn=140 m <sup>3</sup> /h	P <sub>min</sub> ≥ 4,65 bar
DN200	Qn=170 m <sup>3</sup> /h	P <sub>min</sub> ≥ 4,20 bar

