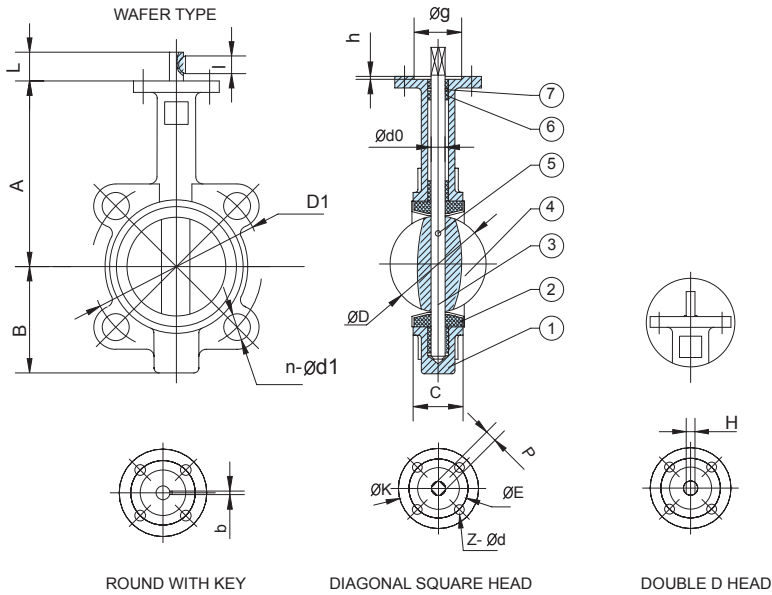


Wafer Butterfly Valve



STANDARD MATERIALS OF MAIN PARTS

NO.	PART	MATERIAL
1	Body	Cast Iron ,Ductile Iron ,Carbon Steel ,Stainless Steel
2	Seat	NBR,EPDM,Viton,Neoprene ,Hypalon,Silicon
3	Shaft	Stainless Steel416,316,304
4	Disc	Ductile Iron +Ni,CF8,CF8M,Bronze
5	Pin	Stainless Steel
6	Bushing	PTFE,Bronze
7	O Ring	NBR,EPDM

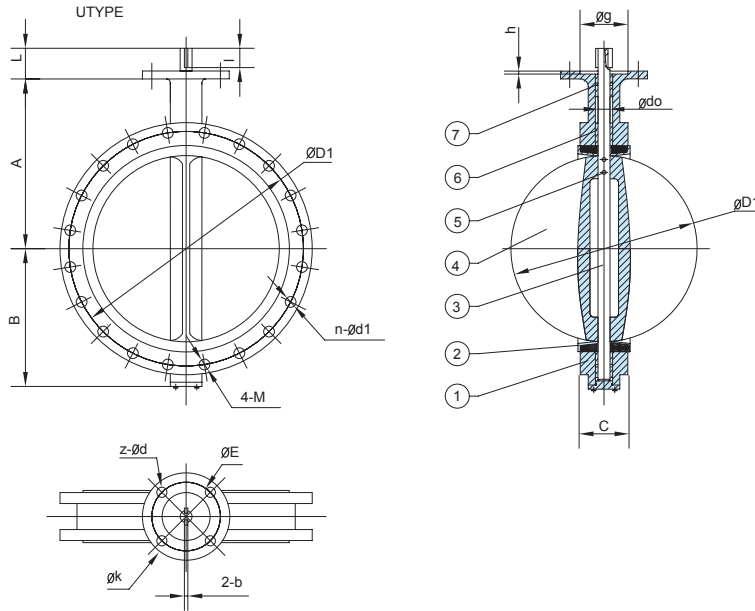
DIMENSIONS

SIZE	in	DN	A	B	C	D	L	d0	P	H	key		UPPER FLANGE			ANSI 150		DIN PN16/10	
											bxl	K	E	z-d	g	h	D1	n-d1	D1
1-1/2	40	145	75	33	42.4	32	12.6	-	-	3X16	77	50	4-7	35	98.5	4-16	110	4-18	
2	50	161	80	42	52.6	32	12.6	9	10	3X16	77	50	4-7	35	120.5	4-19	125	4-18	
2-1/2	65	175	89	44.7	64.5	32	12.6	9	10	3X16	77	50	4-7	35	139.5	4-19	145	4-18	
3	80	181	95	45.2	78.8	32	12.6	9	10	3X16	77	50	4-7	35	152.5	4-19	160	4/8-18	
4	100	200	114	52.1	104	32	15.77	11	12	5X19	90	70	4-9	55	190.5	8-19	180	8-18	
5	125	213	127	54.4	123.3	32	18.92	14	14	5X19	90	70	4-9	55	216	8-22	210	8-18	
6	150	226	139	55.8	155.6	32	18.92	14	14	5X19	90	70	4-9	55	241.5	8-22	240	8-23	
8	200	260	175	60.6	202.5	45	22.1	17	17	5X19	125	102	4-12	70	298.5	8-22	295	8/12-23	
10	250	292	203	65.6	250.5	45	28.45	22	22	8X28	125	102	4-12	70	362	12-25	350/355	12-23/27	
12	300	337	242	76.9	301.6	45	31.6	22	24	8X28	140	102	4-12	70	432	12-25	400/410	12-23/27	
14	350	368	267	76.5	333.3	45	31.6	22	24	8X28	140	102	4-12	70	476	12-29	460/470	16-23/27	
16	400	400	309	86.5	389.6	51.2/72	33.15/38	24	24	10X50	197	140	4-18	100	540	16-29	515/525	16-27/30	
18	450	422	328	106.6	440.5	51.2/72	38/42.86	27	27	10X50	197	140	4-18	100	578	16-32	565/585	20-27/30	
20	500	480	361	131.8	491.6	64.2/82	41.15/45.72	36	32	10X50	197	140	4-18	100	635	20-32	620/650	20-27/33	
24	600	562	459	152	592.5	70.2/82	50.65/53.98	36	36	2-16X60	276	165	4-23	130	749.5	20-35	725/770	20-30/36	
28	700	624	520	163	695	66/82	55/63.35	-	-	2-18X63	300	254	8-18	200	863.5	28-35	840	24-30/36	
30	750	660	539	165	744.3	66/82	55/63.35	-	-	2-18X63	300	254	8-18	200	914.5	28-35	-	-	
32	800	672	591	188	794.7	66/82	55/63.35	-	-	2-18X63	300	254	8-18	200	978	28-41	950	24-33/39	
36	900	720	656	203	864.7	118	75	-	-	2-20X100	300	254	8-18	200	1086	32-41	1050	28-33/39	
40	1000	800	721	216	965	142	85	-	-	2-20X100	300	254	8-18	200	1200	36-41	1160/1170	28-36/42	

- Type: Wafer
- Face to Face: API609,BS5155,DIN3202, ISO5752
- Flange: DIN,BS,UNI,ISO,ANSI, AS, JIS
- Mounting Flange: ISO5211
- Working Pressure: PN16(200PSI)
- Application: HVAC,Water Supply&Sewage, Food&Beverage. Chemical/ petrochemical/processing, Power and Utilities,Paper and Pulp, Ship Building



U-Type Butterfly Valve



- Type:
U-type
- Face to Face:
BS5155, DIN3202, ISO5752
- Flange:
DIN, BS, UNI, ISO, ANSI, AS, JIS
- Mounting Flange:
ISO5211

- Working Pressure:
PN16(200PSI)
- Application:
HVAC, Water Supply & Sewage,
Food & Beverage. Chemical/
petrochemical/processing, Power and
Utilities, Paper and Pulp, Ship Building

STANDARD MATERIALS OF MAIN PARTS

NO.	PART	MATERIAL
1	Body	Cast Iron ,Ductile Iron ,Carbon Steel ,Stainless Steel
2	Seat	NBR, EPDM, Viton, Neoprene ,Hypalon, Silicon
3	Shaft	Stainless Steel 416, 316, 304
4	Disc	Ductile Iron +Ni, CF8, CF8M, Bronze
5	Pin	Stainless Steel
6	Bushing	PTFE, Bronze
7	O Ring	NBR, EPDM

DIMENSIONS

SIZE		A	B	C	D	L	DO	KEY 2-bx1	UPPER FLANGE			ANSI150			DIN PN10/PN16				
in	DN								K	E	z-d	g	h	D1	n-d1	4-M	D1	n-d1	4-M
16	400	400	309	86.5	389.6	51.2/72	33.15/38	1-10X50	197	140	4-18	100	4	540	16-29	-	515/525	16-27/30	-
18	450	422	328	105.6	440.5	51.2/72	38.42/86	1-10X50	197	140	4-18	100	4	578	16-32	-	565/585	20-27/30	-
20	500	480	361	131.8	491.6	53/78	41.15/45.72	1-10X50	197	140	4-18	100	4	635	20-32	-	620/650	20-27/33	-
24	600	562	459	152	592.5	70.2/82	50.65/53.98	2-16X60	276	165	4-23	130	5	749.5	20-35	-	725/770	20-30/36	-
28	700	624	520	160	695	66/82	55.63/35	2-18X63	300	254	8-18	200	5.5	863.5	24-35	4-11/4"	840	20-30/36	4-M27/M33
30	750	660	539	165	744.3	66/82	55.63/35	2-18X63	300	254	8-18	200	5.5	914.5	24-35	4-11/4"	-	-	-
32	800	672	591	188	794.7	66/82	55.63/35	2-18X63	300	254	8-18	200	5.5	978	24-41	4-11/2"	950	20-33/39	4-M30/M36
36	900	720	656	200	864.7	118	75	2-20X100	300	254	8-18	200	5.5	1086	28-41	4-11/2"	1050	24-33/39	4-M30/M36
40	1000	800	721	216	965	142	85	2-22X140	300	254	8-18	200	5.5	1200	32-41	4-11/2"	1160/1170	24-36/42	4-M33/M39
42	1050	858	757	251	1030.5	150	95	2-25X140	300	254	8-18	200	5.5	1257.5	32-41	4-11/2"	-	-	-
48	1200	941	844	276	1161.2	150	105	2-28X140	350	298	8-23	230	5.5	1422.5	40-41	4-11/2"	1380/1390	28-39/48	4-M36/M45



- CONCENTRIC BUTTERFLY VALVE



- Water works and water resource project
- Environment protection
- Public facilities
- Power and public utilities
- Building industry
- Petroleum, chemical
- Steel, metallurgy
- Paper making industry
- Foods, Beverage



Butterfly valve as used as shutting-off or throttling unit for petroleum processing, chemicals, food, medicine, textile, paper making, hydroelectricity engineering as well as light industry, etc. it can be installed in any selected position.

Type: Wafer, Lugged
 Face to Face: AP1609, BS5155, DIN3202, ISO 5752
 Flange: DIN, BS, UNI, ISO, ANSI, AS, JIS
 Mounting Flange: ISO5211

Working Pressure: PN16(200PSI)
 Application: HVAC, Water Supply & Sewage, Food & Beverage, Chemical/petrochemical/processing, Power and Utilities, Paper and Pulp, Ship Building

Weather Seal

Top bushing keeps dust and moisture from entering the upper shaft journal.

Shaft

Two stub shaft design allows the disc to float within the flow-way increasing cycle life.

Bushing(6)

Shaft bushing reduce torque and isolate the shaft from the valve body preventing seizure of the shaft due to corrosion in the shaft journal.

Seat Face

Seat to flange seal eliminates the need for flange gaskets.

Seat

Phenolic-backed seat is non-collapsible, stretch resistant, blow out proof, and field replaceable

Mounting Flange

ISO 5211 mounting flange accommodates direct mounting of all types of actuators, including: handles, gear operators, electric and pneumatic.

O-Ring(2)

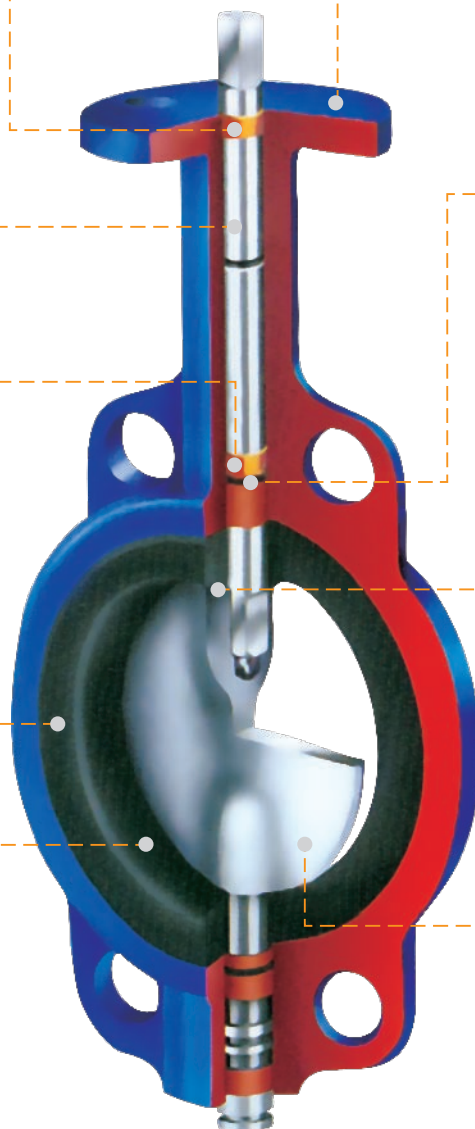
Shaft seal provides further assurance against stem leakage.

Hub Seal

Smooth finished disc flats mate with seat flats to give a highly efficient prevents leakage into the shaft area.

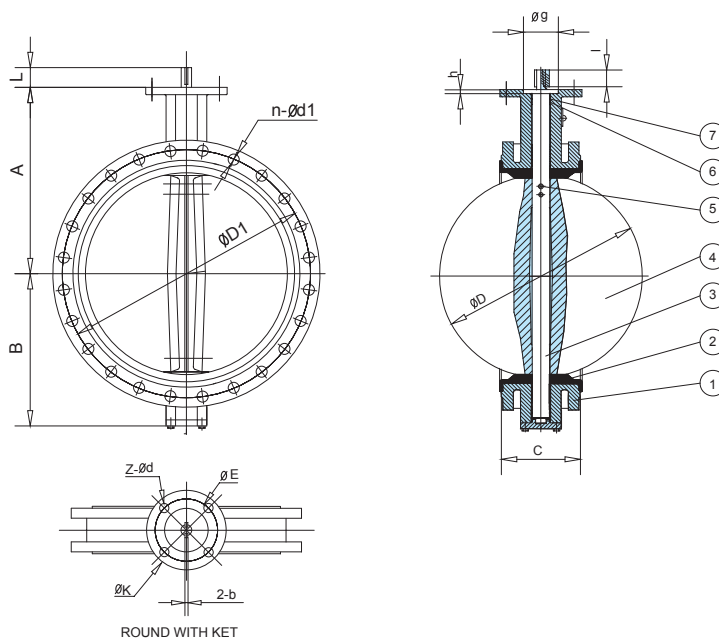
Disc

Precision profile provides bubble-tight shut-off, assures minimum torque and longer seat life. Maximum flow is achieved.





Concentric Flanged Butterfly Valve



- Type: Flange
- Face to Face: BS5155, ISO5752
- Flange: DIN, BS, UNI, ISO, ANSI, AS, JIS
- Mounting Flange: ISO5211

- Working Pressure: PN16(200PSI)
- Application: HVAC, Water Supply & Sewage, Food & Beverage, Chemical/ petrochemical/processing, Power and Utilities, Paper and Pulp, Ship Building



STANDARD MATERIALS OF MAIN PARTS

NO.	PART	MATERIAL
1	Body	Cast Iron, Ductile Iron
2	Seat	NBR, EPDM
3	Shaft	Stainless Steel 416, 316, 304
4	Disc	Ductile Iron+Ni, CF8, CF8M, Bronze
5	Pin	Stainless Steel
6	Bushing	PTFE, Bronze
7	O Ring	NBR, EPDM

DIMENSIONS

SIZE	in	DN	A	B	C	D	L	KEY b×1	UPPER FLANGE				ANSI 150		DIN PN10/PN16	
									K	E	z-d	g	h	D1	n-d1	D1
2	50	120	83	108	52.9	32	3×16	70	50	4-7	35	3	120.5	4-19	125	4-18
2½	65	130	93	112	64.5	32	3×16	70	50	4-7	35	3	139.5	4-19	145	4-18
3	80	145	100	114	78.8	32	3×16	70	50	4-7	35	3	152.5	4-19	160	4/8-18
4	100	155	114	127	104	32	5×19	90	70	4-9	55	3	190.5	8-19	180	8-18
5	125	170	125	140	123.3	32	5×19	90	70	4-9	55	3	216	8-22	210	8-18
6	150	190	143	140	155.6	32	5×19	90	70	4-9	55	3	241.5	8-22	240	8-23
8	200	205	170	152	202.5	45	5×19	125	102	4-12	70	3.5	298.5	8-22	295	8/12-23
10	250	235	198	165	250.5	45	8×28	125	102	4-12	70	3.5	362	12-25	350/355	12-23/27
12	300	280	223	178	301.6	45	8×28	140	102	4-12	70	3.5	432	12-25	400/410	12-23/27
14	350	310	279	190	333.3	45	8×28	140	102	4-12	70	3.5	476	12-29	460/470	16-23/27
16	400	340	300	216	389.6	51.2/72	10×50	197	140	4-18	100	4	540	16-29	515/525	16-27/30
18	450	375	345	222	440.5	51.2/72	10×50	197	140	4-18	100	4	578	16-32	565/585	20-27/30
20	500	430	355	229	491.6	52.7/75	10×50	197	140	4-18	100	4	635	20-32	620/650	20-27/33
24	600	500	410	267	592.5	70.2/80	2-16×60	276	165	4-23	130	5	749.5	20-35	725/770	20-30/36
28	700	560	478	292	695	66/82	2-18×63	300	254	8-18	200	5.5	863.5	28-35	840	24-30/36
32	800	620	529	318	794.7	66/82	2-18×63	300	254	8-18	200	5.5	978	28-41	950	24-33/39
36	900	665	584	330	864.7	118	2-20×100	300	254	8-18	200	5.5	1086	32-41	1050	28-33/39
40	1000	735	657	410	965	141	2-22×140	300	254	8-18	200	5.5	1200	36-41	1160/1170	28-36/42

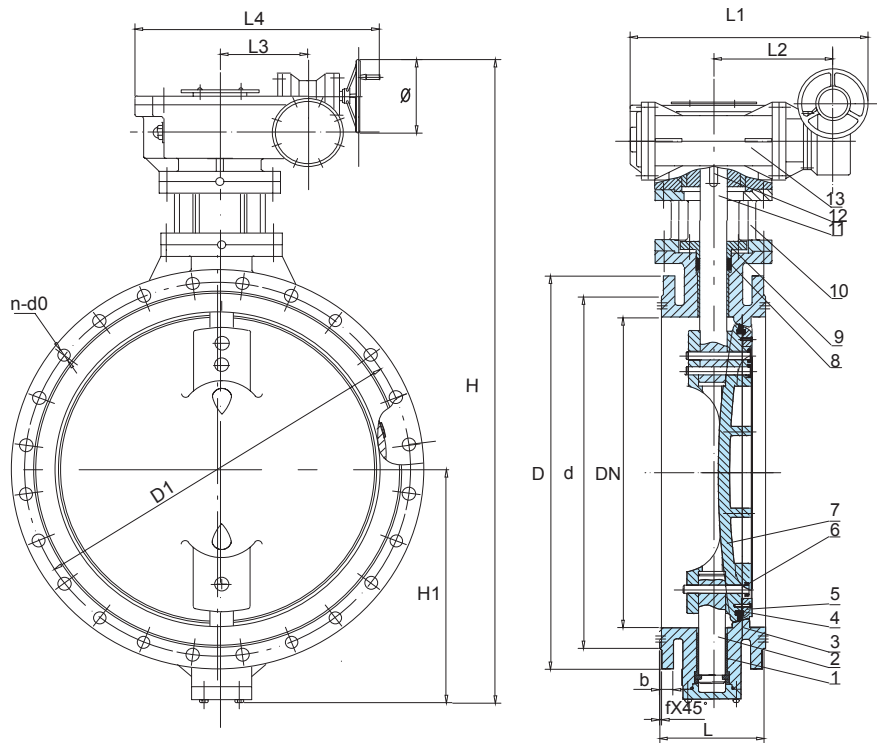
NOTE: (1) The maximum working pressure is 1.6 Mpa(200PSI) for 11/2"-12", 1.0MPa (150PSI) for 14"and larger.
 (2) 14"-24" maximum working pressure of 1.6Mpa(200PSI) can be supplied as per specified order requirement.



Resilient Seated Eccentric Flanged Butterfly Valve

- Type:
Flanged
- Face to Face:
API609,BS5155,DIN3202, ISO5752
- Flange:
DIN,BS,UNI,ISO,ANSI, AS,JIS
- Mounting Flange:
ISO5211

- Working Pressure:
PN10
- Application:
HVAC, Water Supply&Sewage,
Food&Beverage. Chemical/
petrochemical/processing, Power and
Utilities, Paper and Pulp, Ship Building



Resilient Seated Eccentric Flanged Butterfly Valve

STANDARD MATERIALS OF MAIN PARTS

NO.	PART	MATERIAL
1	Bushing	Bronze/PTFE
2	Bottom Shaft	Stainless Steel 420
3	Body	Cast Iron/Ductile Iron
4	Disc Sealing Ring	NBR
5	Ratainer	Carbon Steel
6	Taper Pin	Stainless Steel 420
7	Disc	Ductile Iron
8	Sealing Ring	NBR
9	Stuffing Flange	Ductile Iron
10	Support	Ductile Iron
11	Top Shaft	Stainless Steel 420
12	Key	Carbon Steel
13	Actuator	Worm gear Actuator

DN	d	D1	D	H	H1	L			L1	L2	L3	L4	f	Φ	b	n-d1
		PN10				SHORT BODY	MIDDLE BODY	LONG BODY								PN10
DN450(18")	530	565	615	1164	344	152	222	330	473	147	109	420	4	400	25.5	20-28
DN500(20")	582	620	670	1226	381	152	229	350	473	147	109	420	4	400	26.5	20-28
DN600(24")	682	725	780	1380	450	178	267	390	533	179	138	476	5	400	30	20-31
DN700(28")	794	840	895	1585	535	229	292	430	533	179	138	476	5	400	32.5	24-31
DN800(32")	901	950	1015	1750	590	241	318	470	655	217	170	577	5	500	35	24-34
DN900(36")	1001	1050	1115	1840	643	241	330	510	655	217	170	577	5	500	37.5	28-34
DN1000(40")	1112	1160	1230	1999	722	300	410	550	655	217	170	577	5	500	40	28-37
DN1200(48")	1328	1380	1455	2351	840	350	470	630	748	262	202	664	5	500	45	32-40

DN	d	D1	D	H	H1	L			L1	L2	L3	L4	f	Φ	b	n-d1
		PN10				SHORT BODY	MIDDLE BODY	LONG BODY								PN10
DN100(4")	156	180	220	419	109	/	127	190	97	45	158	210	3	150	19	8-19
DN150(6")	211	240	285	583	143	/	140	210	97	45	158	210	3	150	19	8-23
DN200(8")	266	295	340	692	182	89	152	230	140	63	238	315	3	300	20	8-23
DN250(10")	319	350	395	784	219	114	165	250	140	63	238	315	3	300	22	12-23
DN300(12")	370	400	445	874	244	114	178	270	167	72	167	242	4	300	24.5	12-23
DN350(14")	429	460	505	998	283	127	190	290	201	91	188	275	4	400	24.5	16-23
DN400(16")	480	515	565	1062	312	140	216	310	201	91	188	275	4	400	24.5	16-28